

WH10000

Spheroidal graphite iron structure

Ratio 30:1

Reduction unit with worm wheel and irreversible worm-screw. Reverse motion is possible only when the operator pulls the operating lever. Therefore this reduction system requires no brakes.

Manual drum clutch for drum engagement – disengagement

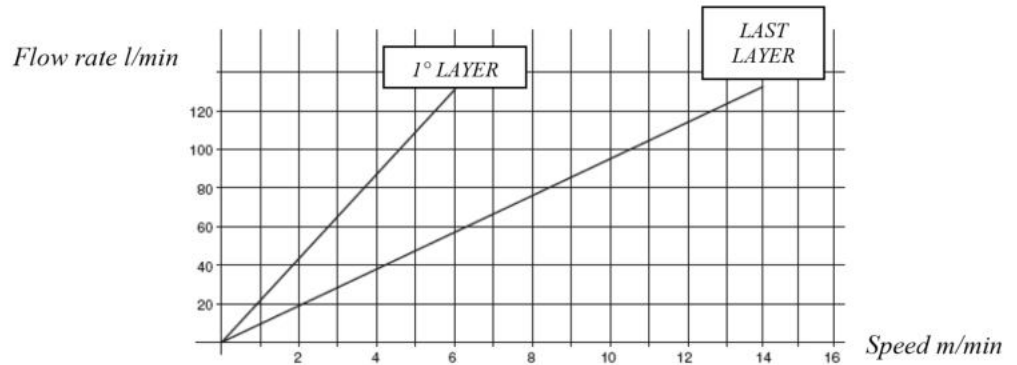
1st cable layer pulling capacity measured by dynamometer: 10000 kg

Zinc-plated steel cable guide with sliding rollers

Recommended cable (extra): Ø 18 mm - max. cable capacity: 80 m

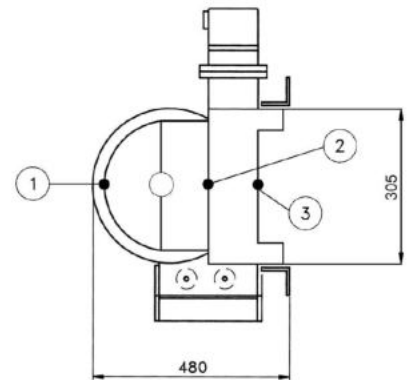
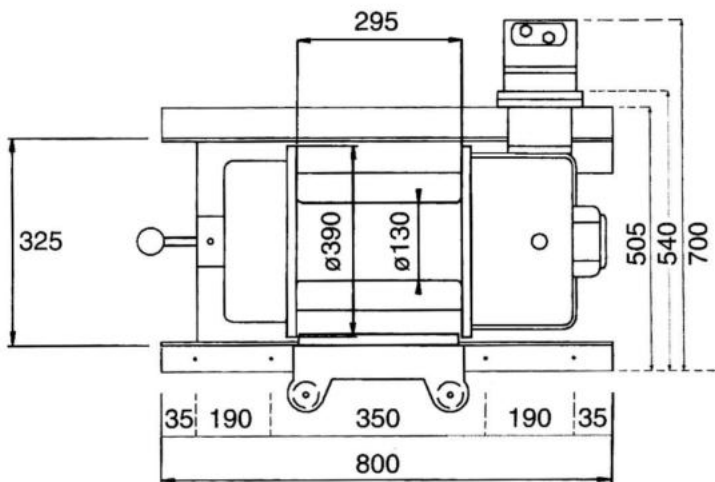
Total weight without cable: 250 kg

Cable winding speed diagram



Relief valve setting:
200 bar

Suggested flow to the motor:
125 l/min



CABLE LAYER	LINE PULL	CABLE LENGTH
1 st	9969 kg	6,6 m
2 nd	7807 kg	14,8 m
3 rd	6415 kg	24,7 m
4 th	5445 kg	36,2 m
5 th	4729 kg	49,4 m
6 th	4180 kg	64,2 m
7 th	3745 kg	80,6 m
Max. cable capacity: 80 m Ø 18 mm		

- 1 - Oil filling plug
- 2 - Oil level plug
- 3 - Oil drain plug